

SC-120-SS

120mm-HIGH DIGIT, STAINLESS STEEL REMOTE DISPLAY



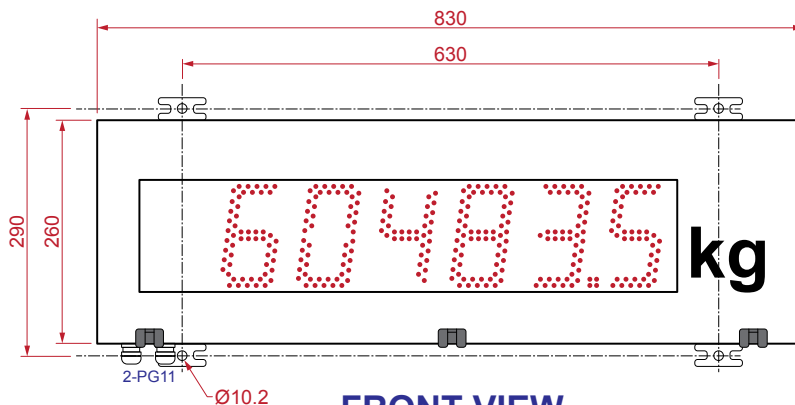
FEATURES

- 6 x 120mm High Digits
- Day-Bright Red LEDs
- AC or DC Versions
- Stainless Steel Case
- 10-Level Brightness Control
- RS-232C, RS-485, 20mA/TTY
- Configuration by PC Software via RS-232 Interface
- Made in Germany

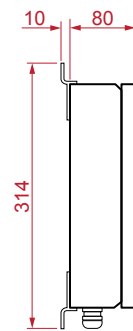
SPECIFICATIONS

MODEL	SC-120-SS
Power	100 to 240VAC/DC, 42VA
Operating Temperature	-20°C to 65°C
Display	120mm Digit Height, Super-Bright Red LEDs
Brightness Control	10-Levels via BCD Switch or Software
Selectable Baud Rates	1,200, 2,400, 4,800, 9,600, or 19,200 bps
Enclosure	Stainless Steel
Rating	IP-65

DIMENSIONS



FRONT VIEW



SIDE VIEW

CHARACTER SET

HEX	20	2C	2D	2E	30	31	32	33	34	35	36	37	38	39	3D	41	43	45	46	48	4C	50	55	5D	5F	62	63	64	68	6E	6F	72	75	78	7E	?
DIGIT	0	1	2	3	4	5	6	7	8	9	-	A	C	E	F	H	L	P	U]	_	b	c	d	h	n	o	r	u	°	1	±

* Unknown Character

Accuweigh Pty Ltd

BROCHURE: AW295 | REVISION: G12

WESTERN AUSTRALIA (HEAD OFFICE):
PHONE: (08) 9259 5535

SOUTH AUSTRALIA OFFICE:
PHONE: (08) 8447 5011

NEW SOUTH WALES (SYDNEY) OFFICE:
PHONE: (02) 9728 4877



www.accuweigh.com.au

VICTORIA OFFICE:
PHONE: (03) 9548 5554

NEW SOUTH WALES (NEWCASTLE) OFFICE:
PHONE: (02) 4966 8900

QUEENSLAND OFFICE:
PHONE: (07) 3265 5520