

MULTIHEAD WEIGHER

10-HEAD

AW-M10A



AW-M10A1

APPLICATION

Confectionery, bakery, biscuits, cereals, dried fruit, seeds, snacks, chips, flakes, nuts, pet foods, plastic parts, fasteners, etc. Virtually weighs any dry products of varying shapes and sizes.

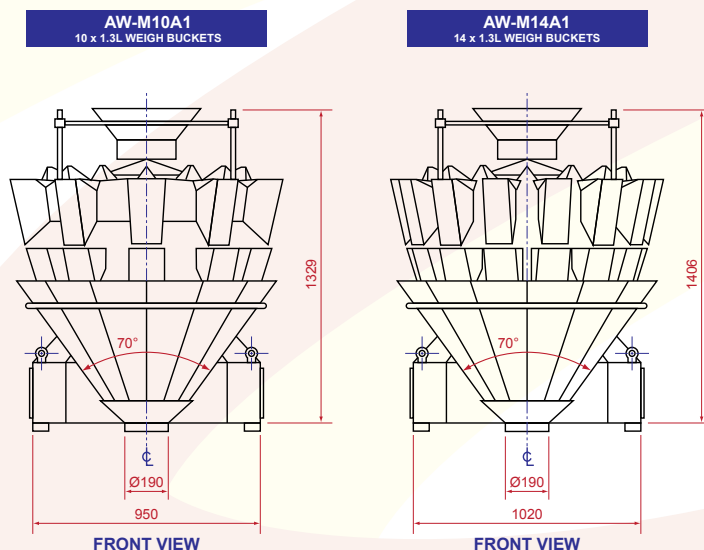
MAIN FEATURES

- Staggered Dumping Avoids Blockages of the Transfer Tube
- Multiple Languages in a Single Touch-Screen Display
- All Surfaces in Contact with the Product are Stainless Steel
- All Parts are Enclosed to Prevent Product Build-Up
- Wash-Down and Dust-Proof Construction
- Touch-Screen Backlighting is Adjustable
- Speed Adjustment of Hopper Movement by Stepper Motor
- No Air Consumption
- 99 Preset Programs Available

SPECIFICATIONS

MODEL	AW-M10A1	AW-M14A1
Weighing Range	10g to 3,000g	
Accuracy	±0.1g to 2g	
Maximum Rate (Weighments per Minute)	70 WPM	120 WPM
Weigh Bucket Volume	1.3 Litres	1.3 Litres
Power Requirements	220VAC 50Hz, 1.5kW	220VAC 50Hz, 2kW
Net Weight	300kg	350kg
Gross Weight	390kg	430kg
Controller/Display	7" Touch-Screen	

DIMENSIONS



Accuweigh Pty Ltd

BROCHURE: AW207 | REVISION: F12

WESTERN AUSTRALIA (HEAD OFFICE):
PHONE: (08) 9259 5535

SOUTH AUSTRALIA OFFICE:
PHONE: (08) 8447 5011

NEW SOUTH WALES (SYDNEY) OFFICE:
PHONE: (02) 9728 4877



www.accuweigh.com.au

VICTORIA OFFICE:
PHONE: (03) 9548 5554

NEW SOUTH WALES (NEWCASTLE) OFFICE:
PHONE: (02) 4966 8900

QUEENSLAND OFFICE:
PHONE: (07) 3265 5520