



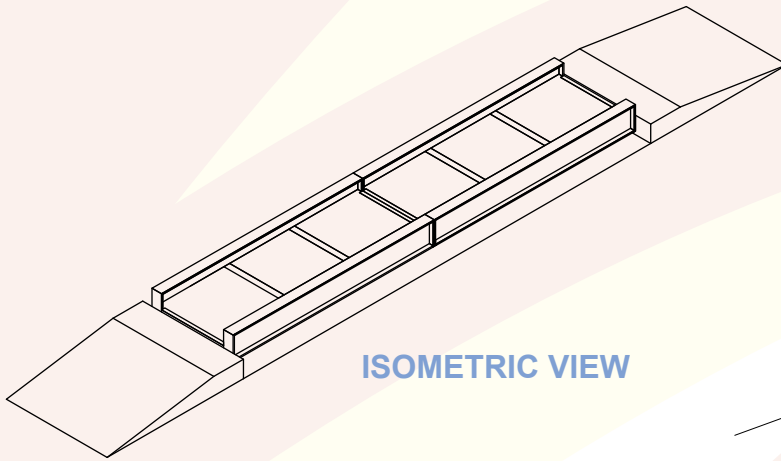
**ACCUWEIGH**

Onboard and Vehicle  
Weighing Systems

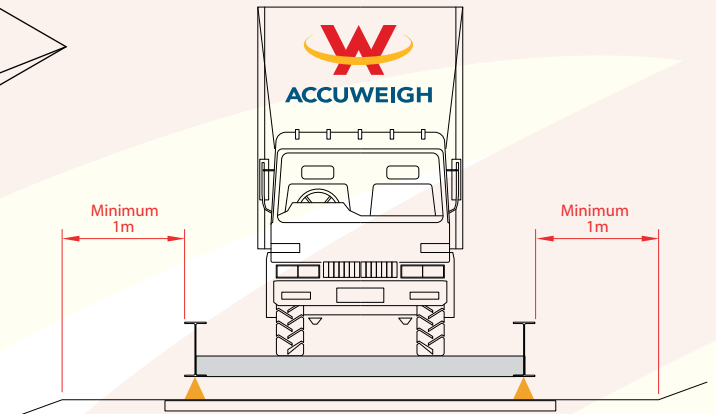
# Weighbridges

AUSTRALIA'S LARGEST WEIGHBRIDGE  
SUPPLIER

## ABOVE-GROUND WEIGHBRIDGES



ISOMETRIC VIEW



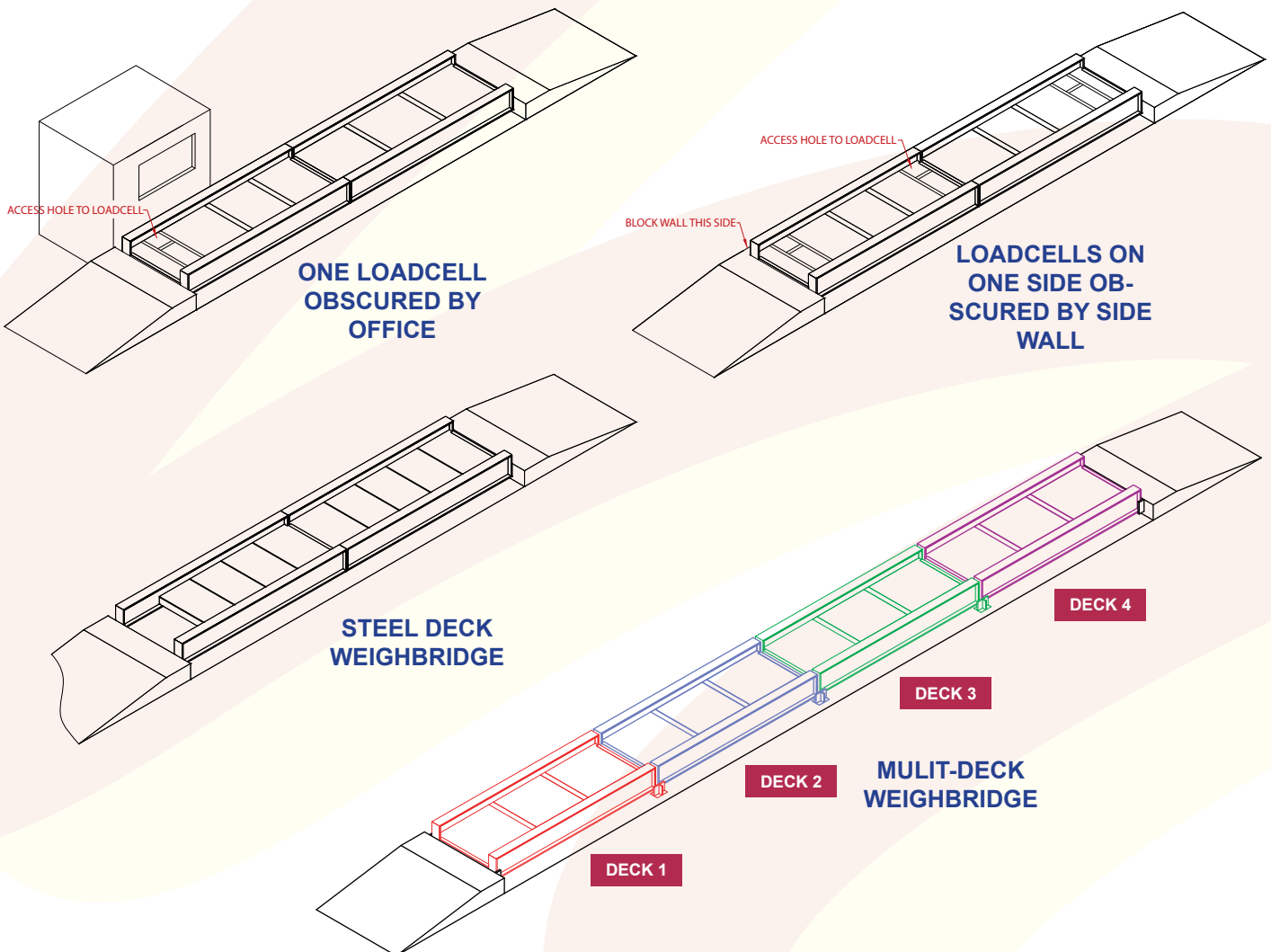
CROSS-SECTIONAL VIEW

- ✓ Steel Cross-Sections at Approx. 3m Spacings
- ✓ Designed for Minimal Concrete Cracking
- ✓ Engineering Report on Design Available
- ✓ Designed for Long-Term Performance
- ✓ Available in Standard 3m or 3.5m Widths
- ✓ Custom Widths Available
- ✓ Available in Kit Form, If Required
- ✓ Fully Hot-Dipped Galvanised

# ABOVE-GROUND WEIGHBRIDGES

- ✓ Australia's Largest Weighbridge Supplier - 100+ Weighbridges Sold Each Year
- ✓ A True National Company with Branches and Service Centres in All States
- ✓ 100% Australian-Owned and Operated Company, Profits Stay in Australia
- ✓ ISO 9001 Company Ensuring a Quality Product and Professional Service
- ✓ Experienced Weighbridge Service Crews in All States
- ✓ Trade-Approved, Designed for Australia's Harsh Environment
- ✓ Proven Design Over Many Installations

## DESIGNS FORMAT ALTERNATIVES



**Accuweigh Pty Ltd**

BROCHURE: AW438 | REVISION: H12

WESTERN AUSTRALIA (HEAD OFFICE):  
PHONE: (08) 9259 5535

SOUTH AUSTRALIA OFFICE:  
PHONE: (08) 8447 5011

NEW SOUTH WALES (SYDNEY) OFFICE:  
PHONE: (02) 9728 4877



[www.accuweigh.com.au](http://www.accuweigh.com.au)

VICTORIA OFFICE:  
PHONE: (03) 9548 5554

NEW SOUTH WALES (NEWCASTLE) OFFICE:  
PHONE: (02) 4966 8900

QUEENSLAND OFFICE:  
PHONE: (07) 3265 5520